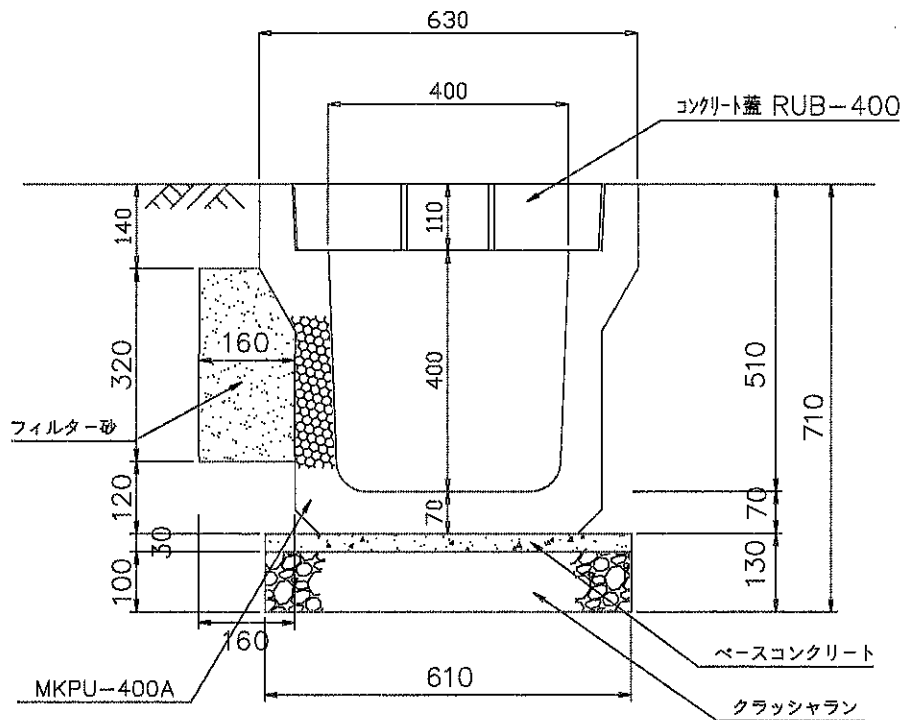


透水性側溝MKPU-400A構造図 S=1/10



透水性側溝MKPU-400A構造図 S=1/10

